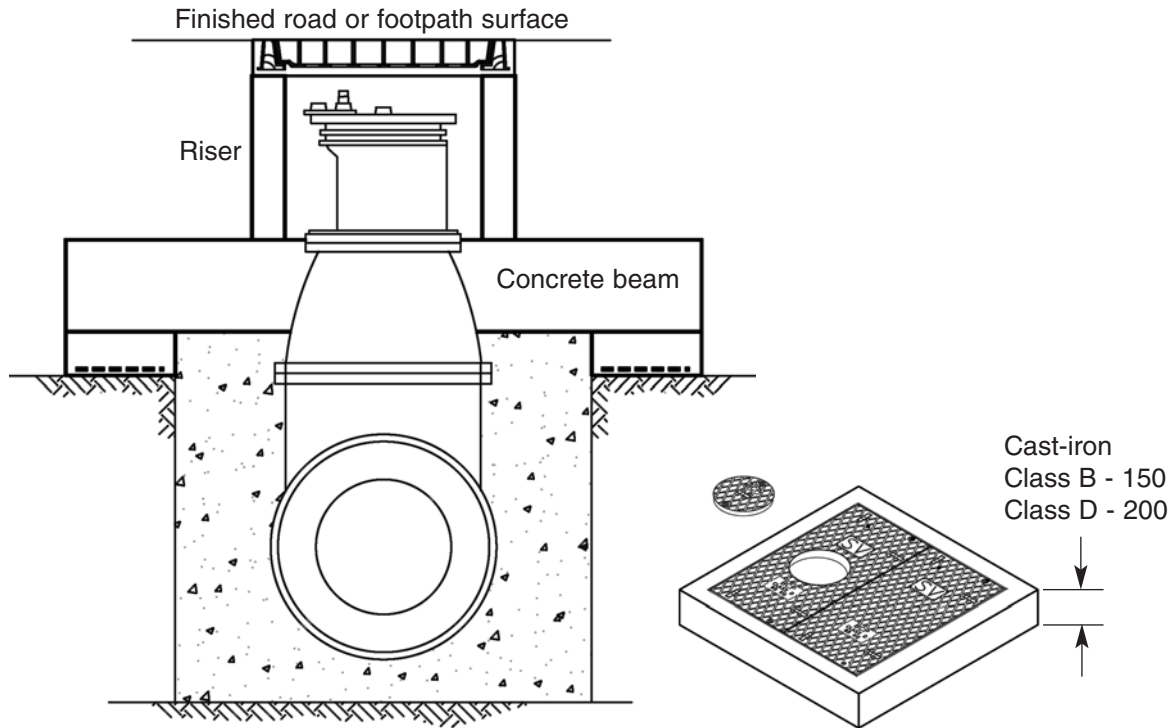


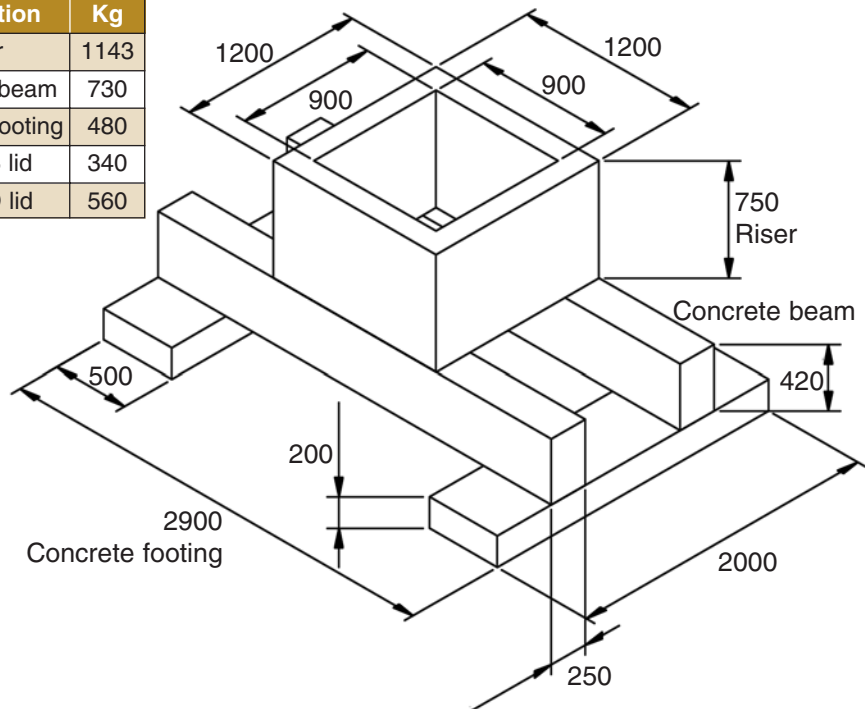
# STOP VALVE CHAMBER

(for large diameter pipes)

**ROADWAY OR FOOTWAY - APPROVED BY SYDNEY WATER**  
Sydney Water drawing No. WT-304



Order Code	Description	Mass Kg
VCR-00750	Riser	1143
SVB-00250	Concrete beam	730
SVF-00200	Concrete footing	480
HVS-CICIN99B2PSV	Class B lid	340
HVS-CICIN99D2PSV	Class D lid	560



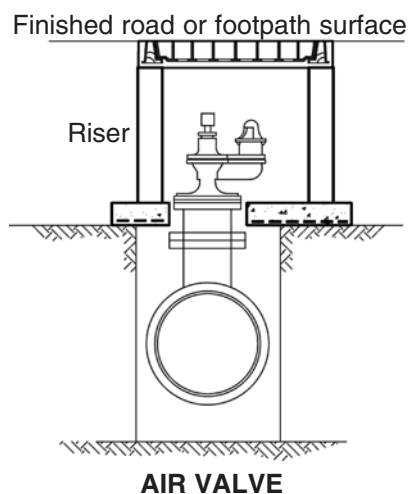
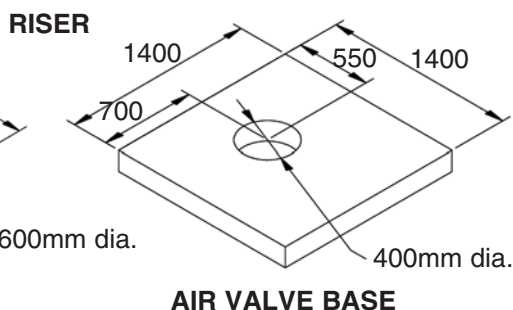
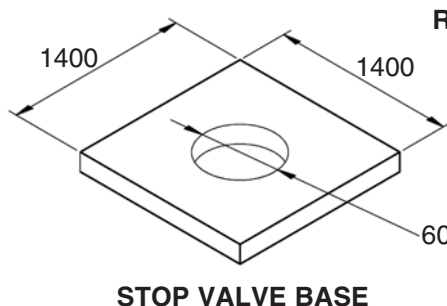
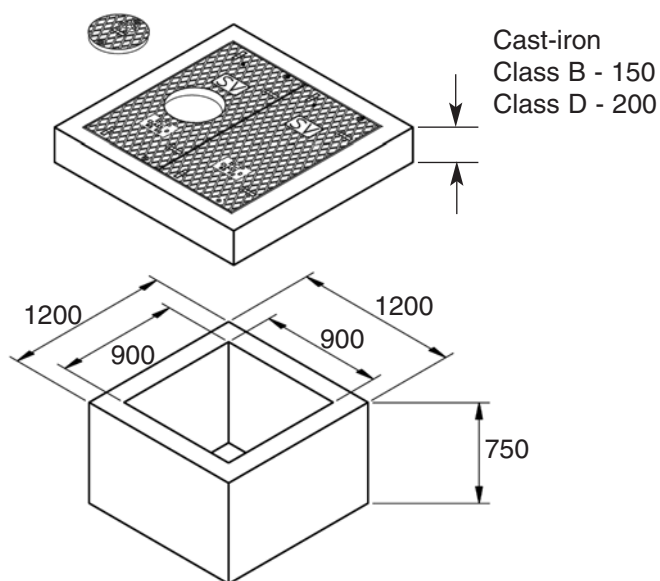
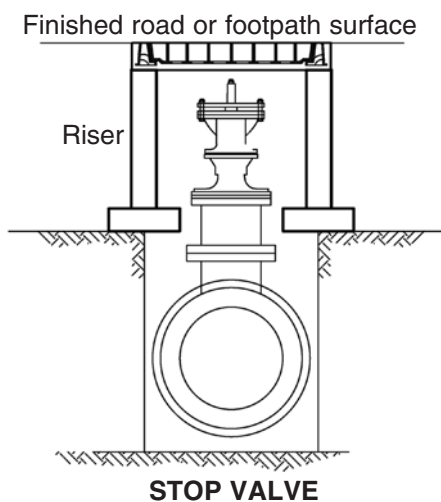
# AIR/STOP VALVE CHAMBER

(for small diameter pipes)

**ROADWAY OR FOOTWAY - APPROVED BY SYDNEY WATER**

Sydney Water drawing Nos: W2-303 (Stop Valve)

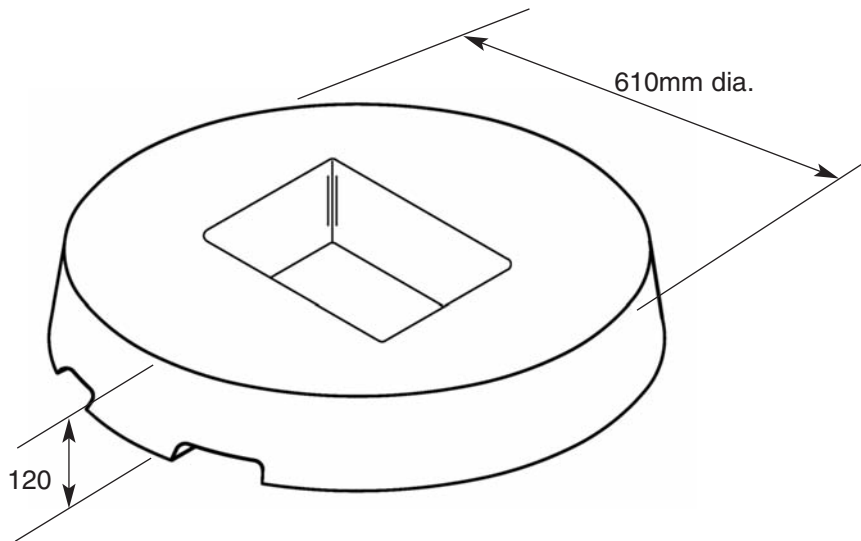
W2-300 (Air Valve)



Order Code	Description	Mass Kg
VCR-00750	Riser	1143
SVS-00150	Stop Valve base	730
AVS-00150	Air Valve base	480
HVS-CICIN99B2PSV	Class B lid	340
HVS-CICIN99D2PSV	Class D lid	560
AVS-CICIN99B2PAV	Class B lid	350
AVS-CICIN99D2PAV	Class D lid	650

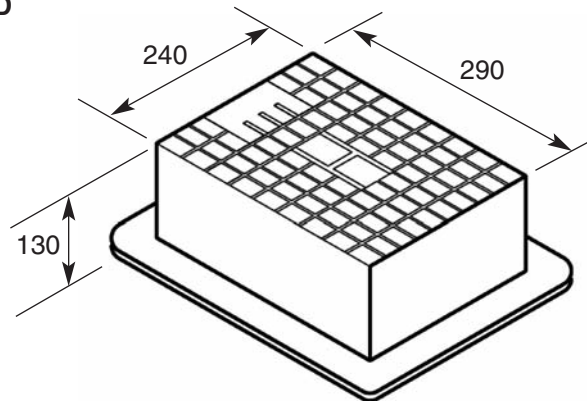
# HYDRANT BOX and SURROUND

Approved by Water Authorities



**CONCRETE SURROUND**

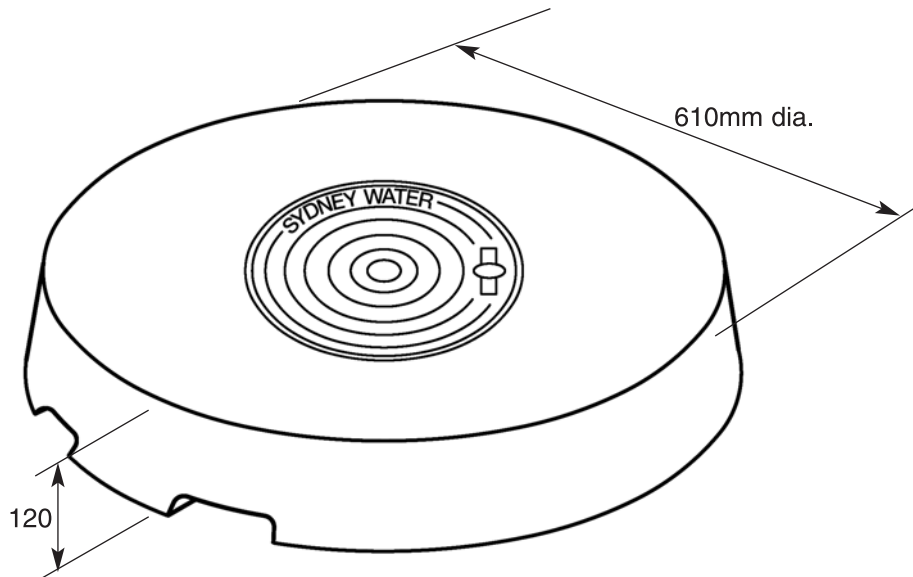
- For use in areas subject to PWD standards.
- Sold as separate items



**CAST-IRON HYDRANT BOX**

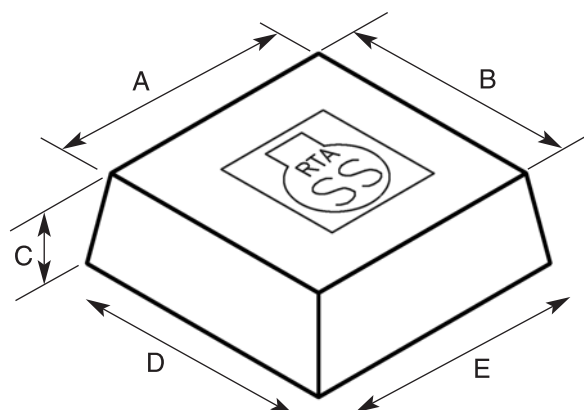
Order Code	Description	Mass Kg
XHP-00000	Concrete surround (Public Works style)	60
XHP-00001	Cast-iron hydrant box (Public Works style)	32
XHP-00002	Cast-iron hydrant box in concrete surround	92

## LAMPHOLE or FLUSH POINT COVER and SURROUND



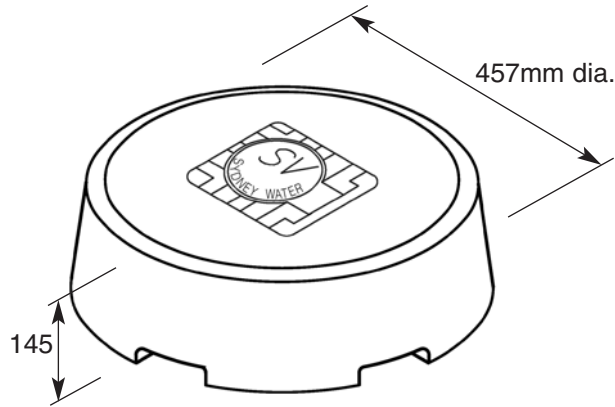
Order Code	Description	Mass Kg
XLH-00002	Lamphole cover & frame in concrete surround	60
XLH-00001	Square concrete base slab only for lamphole cover	50

## RTA SUB SOIL COVER and SURROUND



Order Code	Dimensions					Mass Kg
	A	B	C	D	E	
XSR-00002	255	255	150			20
XSR-5050	500	500	150	290	290	90

## STOP VALVE BOX SURROUND



### SYDNEY WATER and PUBLIC WORKS TYPE

Order Code	Description	Mass Kg
XSV-00002	Stop valve box & surround (Sydney Water style)	78