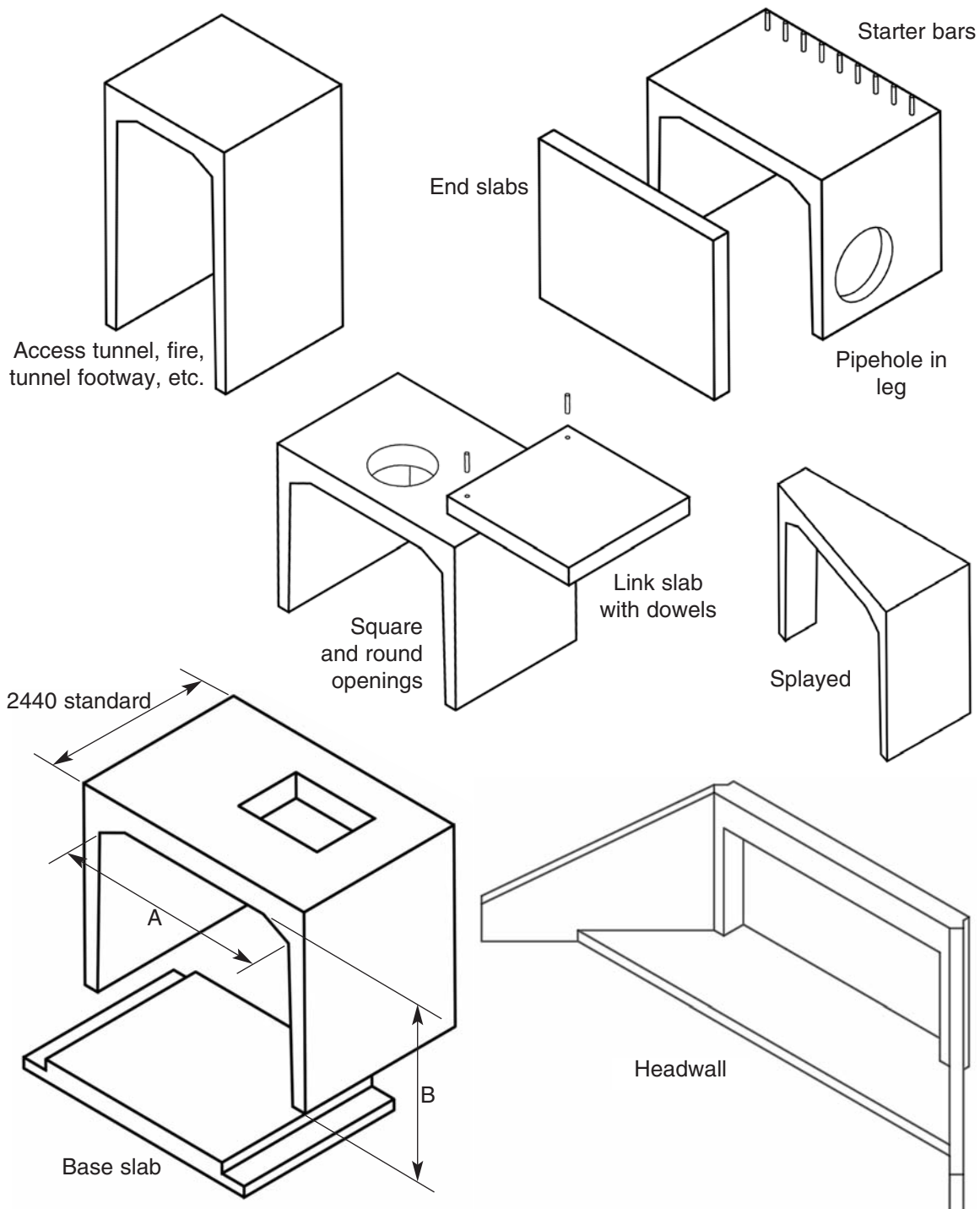


CULVERTS, BASE SLABS & HEADWALLS

PRODUCT SHAPES AVAILABLE TO MR 138A, SM1600 and AS1597
RTA B80 available on request.



Dimensions and further information available on request.

BOX CULVERTS

Nominal Size	A	B	Mass kg
450 x 300	450	300	628
450 x 450	450	450	860
600 x 300	600	300	784
600 x 450	600	450	950
600 x 600	600	600	1100
750 x 300	750	300	1080
750 x 450	750	450	1230
750 x 600	750	600	1380
750 x 750	750	750	1520
900 x 300	900	300	1200
900 x 450	900	450	1350
900 x 600	900	600	1500
900 x 750	900	750	1640
1200 x 300	1200	300	1520
1200 x 450	1200	450	1680
1200 x 600	1200	600	1820
1200 x 900	1200	900	2480
1200 x 1200	1200	1200	2930
1500 x 900	1500	900	3140
1500 x 1200	1500	1200	3600
1500 x 1500	1500	1500	4210
1800 x 900	1800	900	3450
1800 x 1200	1800	1200	3540
1800 x 1500	1800	1500	3910
1800 x 1800	1800	1800	4520

Nominal Size	A	B	Mass kg
2100 x 900	2100	900	3900
2100 x 1200	2100	1200	4360
2100 x 1500	2100	1500	4980
2100 x 1800	2100	1800	5650
2100 x 2100	2100	2100	6510
2400 x 900	2400	900	4230
2400 x 1200	2400	1200	4690
2400 x 1500	2400	1500	5490
2400 x 1800	2400	1800	6140
2400 x 2100	2400	2100	7260
2400 x 2400	2400	2400	7960
2700 x 900	2700	900	5010
2700 x 1200	2700	1200	5480
2700 x 1500	2700	1500	6100
2700 x 1800	2700	1800	6770
2700 x 2100	2700	2100	7820
2700 x 2400	2700	2400	8540
2700 x 2700	2700	2700	10510
3000 x 600	3000	600	5000
3000 x 750	3000	750	5200
3000 x 900	3000	900	5590
3000 x 1200	3000	1200	6050
3000 x 1500	3000	1500	6670
3000 x 1800	3000	1800	7550
3000 x 2100	3000	2100	8630
3000 x 2400	3000	2400	9370
3000 x 2700	3000	2700	11360
3000 x 3000	3000	3000	12120

Nominal Size	A	B	Mass kg
3300 x 900	3300	900	6200
3300 x 1200	3300	1200	6880
3300 x 1500	3300	1500	7510
3300 x 1800	3300	1800	8410
3300 x 2100	3300	2100	9510
3300 x 2400	3300	2400	10270
3300 x 2700	3300	2700	12290
3300 x 3000	3300	3000	12830
3600 x 900	3600	900	7410
3600 x 1200	3600	1200	7790
3600 x 1500	3600	1500	8420
3600 x 1800	3600	1800	9100
3600 x 2100	3600	2100	10220
3600 x 2400	3600	2400	11000
3600 x 2700	3600	2700	13040
3600 x 3000	3600	3000	13840
4200 x 900	4200	900	9670
4200 x 1200	4200	1200	10390
4200 x 1500	4200	1500	10750
4200 x 1800	4200	1800	11880
4200 x 2100	4200	2100	12610
4200 x 2400	4200	2400	13140
4200 x 2700	4200	2700	14950
4200 x 3000	4200	3000	15780

- Units designed to AS1597
- Culverts suitable for SM1600 loading
 - Less than 2.0 metre fill and B1 exposure classification
 - Units with other design criteria available on request
- Masses are for 2.44 metre units and are approximate only.